

Halcyon AMH51 D

undercounter
DISHWASHER

halcyon®

Halcyon AMH51 D Features

- **1 year warranty**
- Drain pump as standard
- Three button bright LED display with soft touch controls and alarms menu
- Accurate detergent and rinse aid peristaltic dosing pump
- Dosing set up by fascia controls
- Easy clean parallel wash and rinse arm assembly
- Breaktank as standard
- Optional surface scrap tray filters



Supplied with one pegged
(capable of holding 18 10" plates)
one open cup/glass rack
(capable of holding 25 pint
glasses) and cutlery insert

Additional racks can be
purchased at point of order:

Z972001 & **Z972003**

Gravity drain version
available: **AMH51**



Halcyon AMH51 D

undercounter DISHWASHER

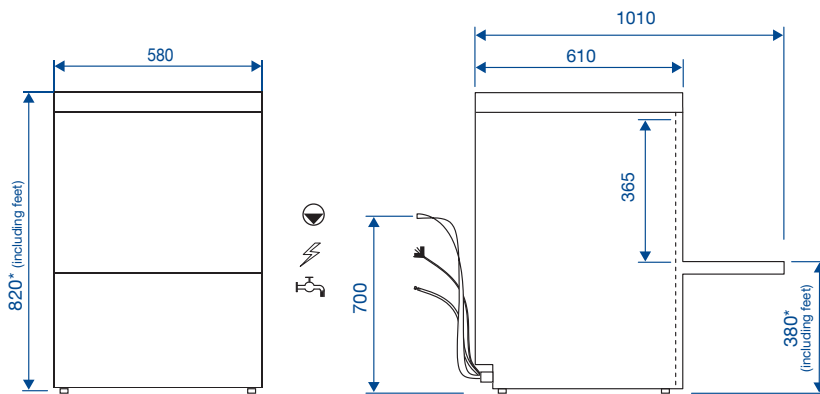


Technical Data

Dimensions (W x D x H)	mm	580 x 610 x 810	Wash tank element	kW	2.1
		+ Feet	Boiler element	kW	6.0
Feet height	mm	10-20	Wash pump	kW	0.47
Rack size	mm	500 x 500	Tank capacity	L	20
Maximum useable height	mm	340	Noise emission	dB(A)	≤ 55
Door opening	mm	365	Packaging Specs		
Theoretical productivity	Racks/h	40	Gross weight	Kg	67
Effective productivity	Racks/h	30*	Cubic volume	m ³	0.45
			Dim. (W x D x H)	mm	670 x 690 x 980

*Allowing 30 seconds for reloading
Cycle times may vary depending on local conditions/services

Installation Diagram – All services must be within 1 meter



*Height-adjustable feet + 10mm

Power Supply

Installed power	AMP	KW
230V – 50Hz – 1N	13	2.6
	20	4.5
	30*	6.5
Optional 3 Phase config	Total load 6.5kW	
Fused	16 amp	

*Standard configuration

Pumped waste into upstand, maximum height 700mm

Power
Water supply 2 – 4 bar

Water Connection

Inlet water pressure	Bar	2 to 4
Flow rate L/Min	L/Min	6
Water inlet temp	°C	10 to 50
Water connection	BSP	¾"
Waste connection	Ø	Int 19/ext 24

Cycle Information

Number of standard cycles		2
Standard cycles times	Sec	90/180
Special cycle		Long
Self-cleaning cycle		Full self clean
Water consumption per cycle	L	2.5
Wash temperature	°C	60 – adjustable
Rinse temperature	°C	65 – adjustable